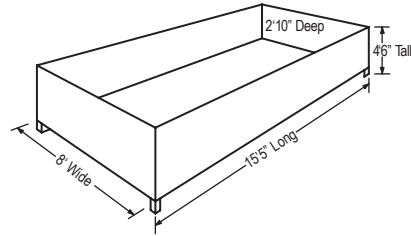


## Roll-off boxes are available in four convenient sizes:

All boxes are 8-feet wide

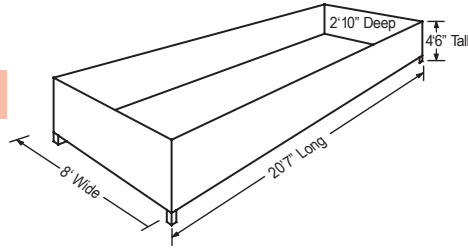
### 10-Yard

2 ton maximum weight limit



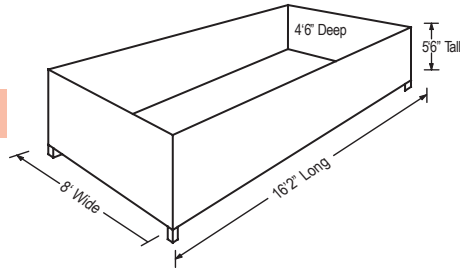
### 15-Yard

3 ton maximum weight limit



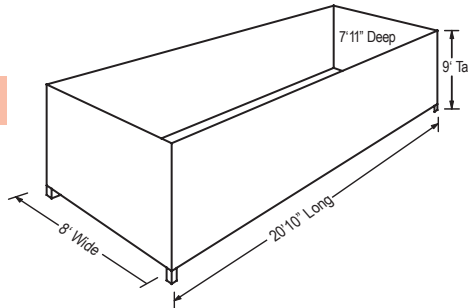
### 20-Yard

4 ton maximum weight limit



### 30-Yard

6 ton maximum weight limit



**420-5220**

**Boxes weighing over 10 tons cannot be serviced.**  
**Dimensions may vary.**

Box prices are based on current landfill disposal fees.

**Sorting materials saves money! Contractors may require workers to sort material into labeled roll-off bins as they remove items from buildings or as debris is produced. NOTE: Mixed construction and demolition debris boxes will NOT be sorted at the City's collection facility.**

# Roll-off Boxes

Get the right box for the right job!  
*It's the Law!*



**The more you separate, the more you save!**

**Recoverable materials account for a whopping 25% of the City of Santa Cruz waste stream.** In California it is mandatory that at least 50% of construction and/or demolition material be recycled. Using roll-off boxes will help you meet this recycling law. When contractors or homeowners recycle or separate reusable material, landfill space is preserved and you save money!

During new construction, remodeling or deconstruction, a lot of debris is generated such as: bricks, concrete, masonry, soil, rocks, lumber, wood, paving material, siding (aluminum or vinyl), drywall, insulation, wood shingles, roofing material, electrical wiring and plumbing fixtures. Much of this is recyclable in roll-off boxes.

Other materials such as plastic, metal and cardboard may also be recycled at no charge at the Resource Recovery Facility, 605 Dimeo Lane, three miles north of Santa Cruz, up Highway 1.

**Why separate?** Recycling preserves the environment and helps your bottom line! When you recycle you'll save on disposal fees and tax breaks are available when you donate usable material. Separating materials will also earn your project Green Building Points which contributes toward achieving compliance with the City of Santa Cruz Green Building Program.

**There is an enhanced public image to companies who care about our environment.**

# Choose the right box for every stage of construction!

## REGULAR REFUSE BOX

You may dispose of most materials in a refuse box but you will pay full disposal price.

Contact customer service for prices at 831-420-5220.



## CLEAN FILL BOX

Available in 10 yard only

- May contain only clean soil or dirt
- NO rocks or concrete
- NO organics
- Fill no more than 3/4 full

## MIXED CONSTRUCTION & DEMOLITION BOX

May Contain:

- Painted/stained lumber
- Plywood, pressed wood
- Wood shingles
- Wood furniture
- NO Insulation**
- NO Pressure-treated wood**
- NO Sheetrock**
- NO Wiring (romex, phone, cable wire)**
- NO Metal\***
- NO Organics**



\*Glass, plastics, metal, and cardboard may be dropped off at no charge at the Resource Recovery Facility.

## CONCRETE or SHEETROCK BOX

Available in 10 yard only

Concrete Box may contain only:

- Concrete
- Brick (broken or whole)
- Asphalt
- Fill no more than 3/4 full
- **No rebar**

Sheetrock Box may contain only:

- Sheetrock or green board



## CLEAN WOOD BOX - becomes landscaping material

Sort clean wood and save up to \$200 over a refuse box.

May Contain:

- Pallets, dimensional lumber
- Lumber that is not painted or stained
- Tree rounds
- NO Painted wood**
- NO Pressed plywood**
- NO Pressure treated wood**
- NO Dirt**
- NO STUMPS**



When you recycle or separate reusable material, you will receive special rates!

## Organics BOX

May Contain:

- Brush, shrubs, grass, and leaves
- Tree branches less than 2" diameter
- NO Pressed plywood**
- NO Pressure-treated wood**
- NO Dirt/rocks/concrete**
- NO STUMPS**
- NO Branches over 2" Diameter**

This material becomes mulch



## Save money by staging box-types during different phases of construction

Boxes for cardboard, plastic film and metal, can be provided free with refuse disposal service.

These Items require **SPECIAL HANDLING**:

Asbestos, pressure-treated wood, mattresses/box springs, TV's, computers and monitors, paints, solvents, pesticides, hazardous waste, tires, batteries, fluorescent tubes, appliances, oil and filters.



Within Santa Cruz city limits, roll-off debris boxes must be provided by the City Resource Recovery Collections division. Private companies are not allowed to operate roll-off box services.